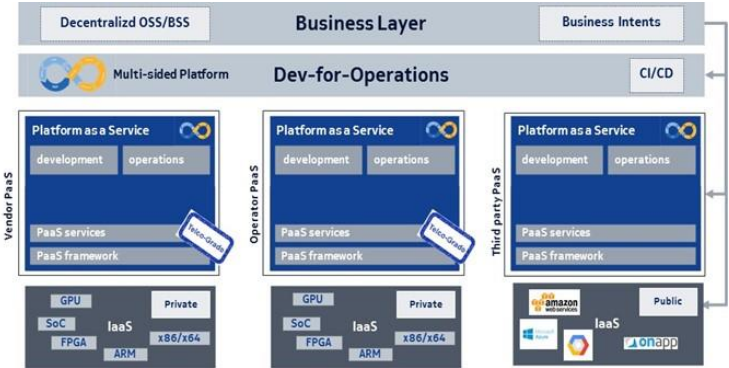


What is NGPaaS ?

- Today's PaaS offerings are tailored mainly to the needs of web and mobile applications developers, and involve a fairly rigid stack of components and features.
- The vision of the H2020 5GPPP Phase 2 Next Generation Platform-as-a-Service (NGPaaS) project is to enable "build-to-order" customized PaaS, tailored to the needs of a wide range of use cases with telco-grade 5G characteristics.



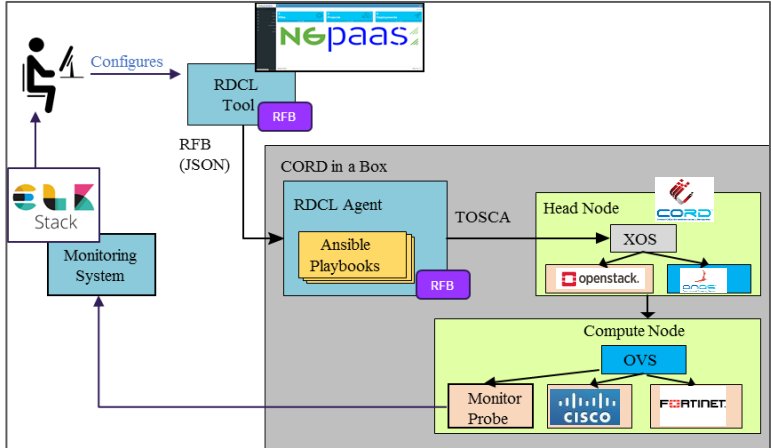
Project Info

This project has received funding from the European Union's H2020-ICT-2016-2017 Programme under grant agreement n° 761557

Project #	761557
Timeline	1.6.2017 – 31.05.2019
Project Cost	6,664,753 Euros
Requested EU Contributions	5,214,753 Euros
Manpower	698 person months

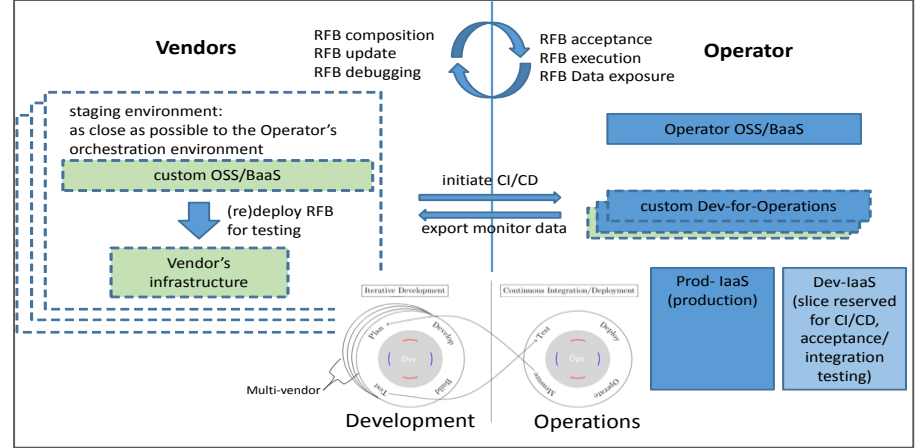
[@NGPaaS_5GPPP](https://twitter.com/NGPaaS_5GPPP) <http://ngpaas.eu>
ngpaas-contact@5g-ppp.eu

Telco PaaS Overview



- Telco PaaS based around "VNF-as-a-Service" use case
- We have pre-built CORD-based PaaS, and customized to allow "VNFaaS" onboarding including "value-add" enrichment to enable VNF monitoring
- We demonstrate instantiation of services based on menu options, and leveraging "Reusable Functional Blocks" (RFBs)

Dev-for-Operations Overview



- Pilot Dev-for-Operations based on 3 vendors, 1 NGPaaS Operator and 2 Verticals
- We demonstrate the "build to Order" of CI/CD environment for Vendors and for Operators.
- We show how life cycle of a VNF can be automatized from code to live production environment.